

D

C

B

A

D

C

B

A

6

5

4

3

2

1

6

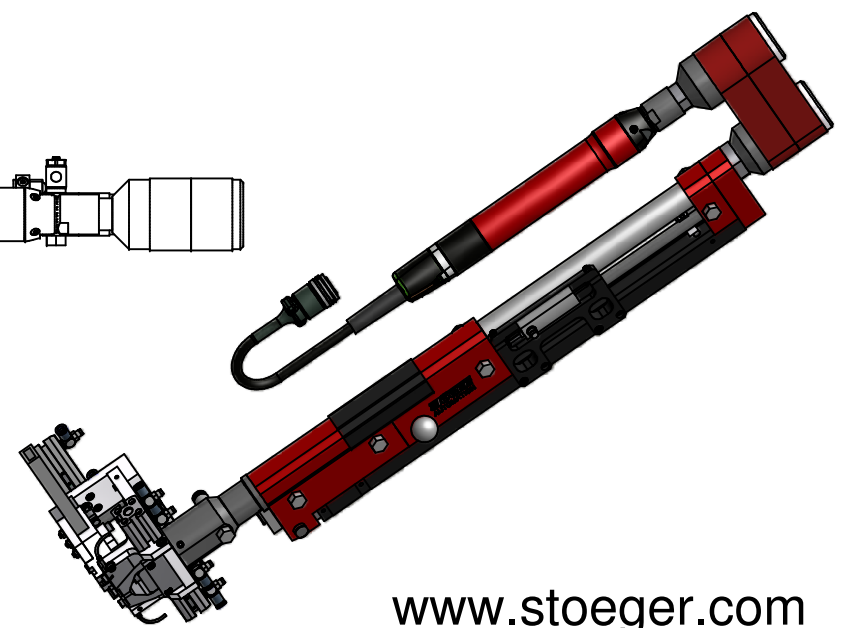
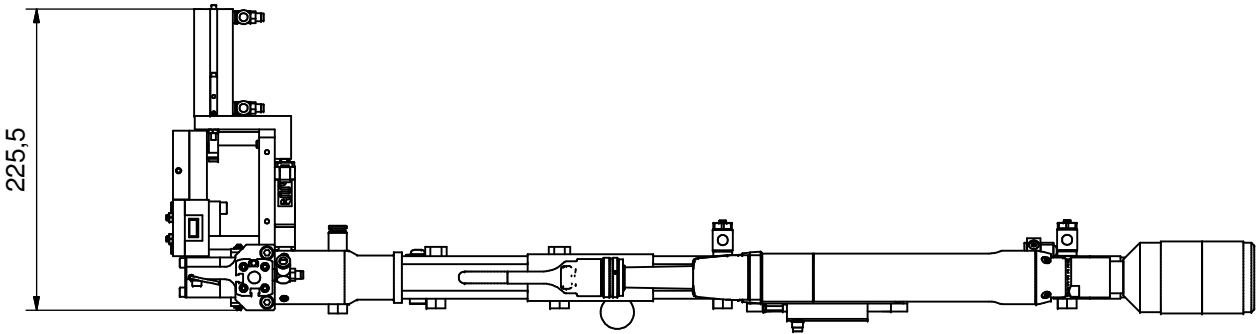
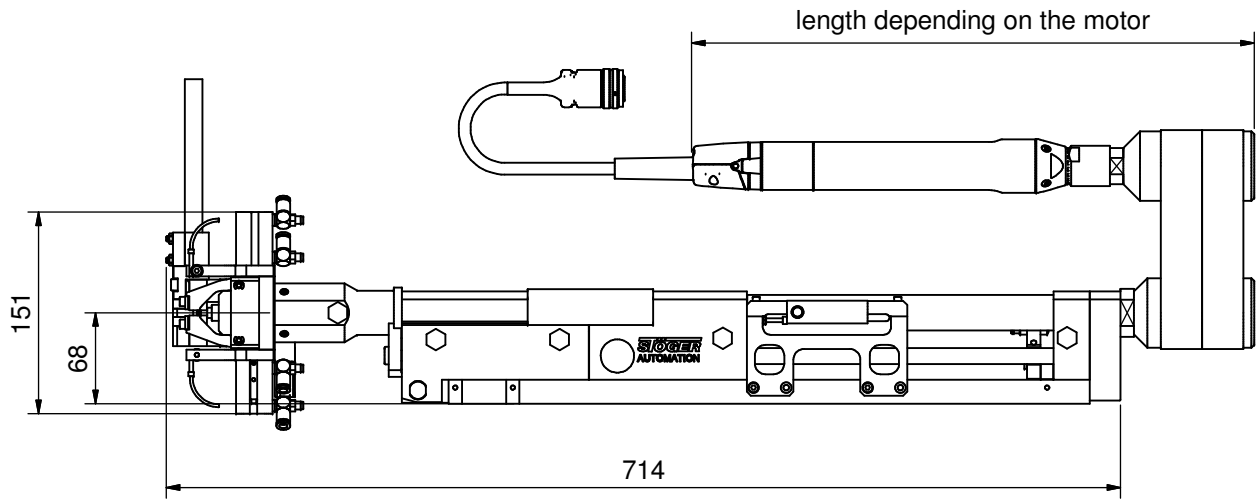
5

4

3

2

1



The measurements are exemplary only and may vary from case to case
 Weight of the unit without motor 8 kg

www.stoeger.com