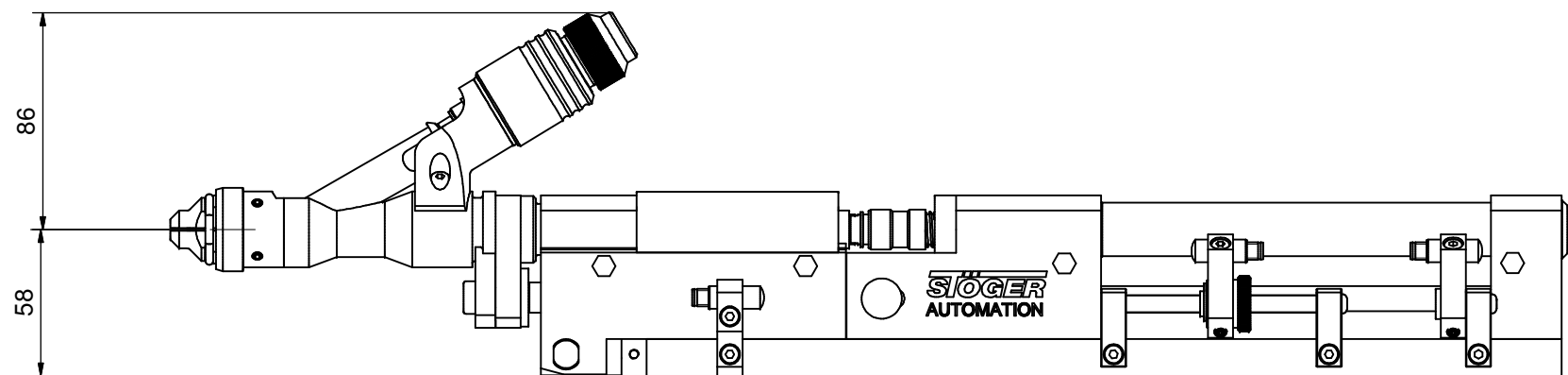


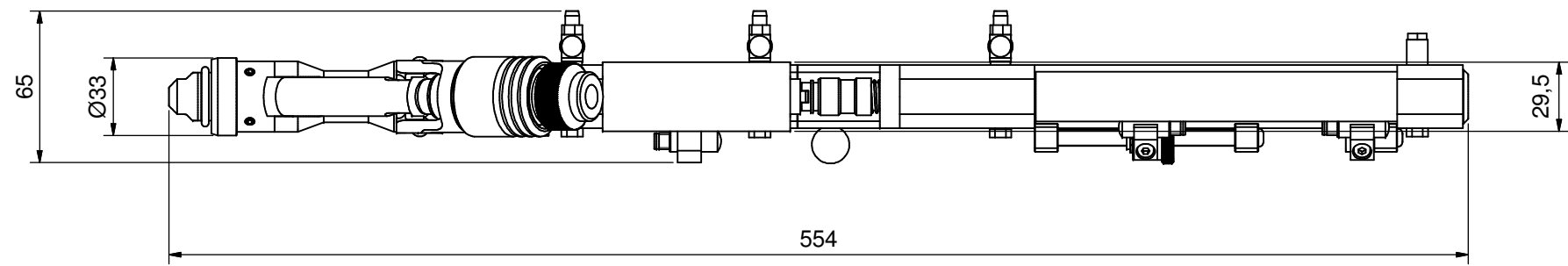
6 5 4 3 2 1

D



D

C

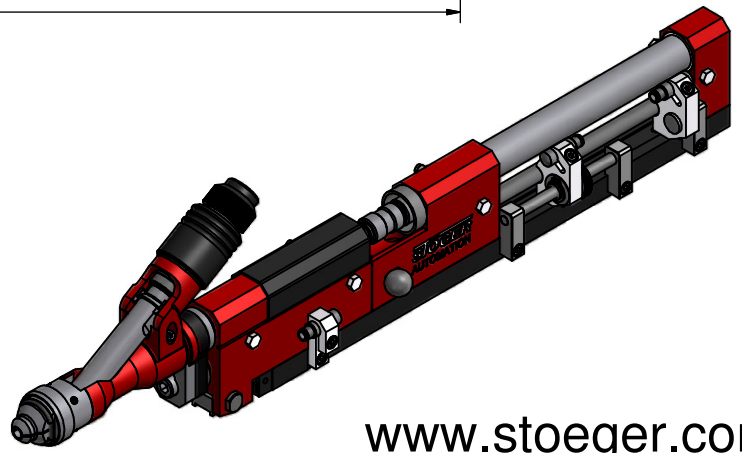


C

B

B

A



A

The measurements are exemplary only and may vary from case to case
Weight of the unit without motor 2,6 kg

www.stoeger.com

6 5 4 3 2 1