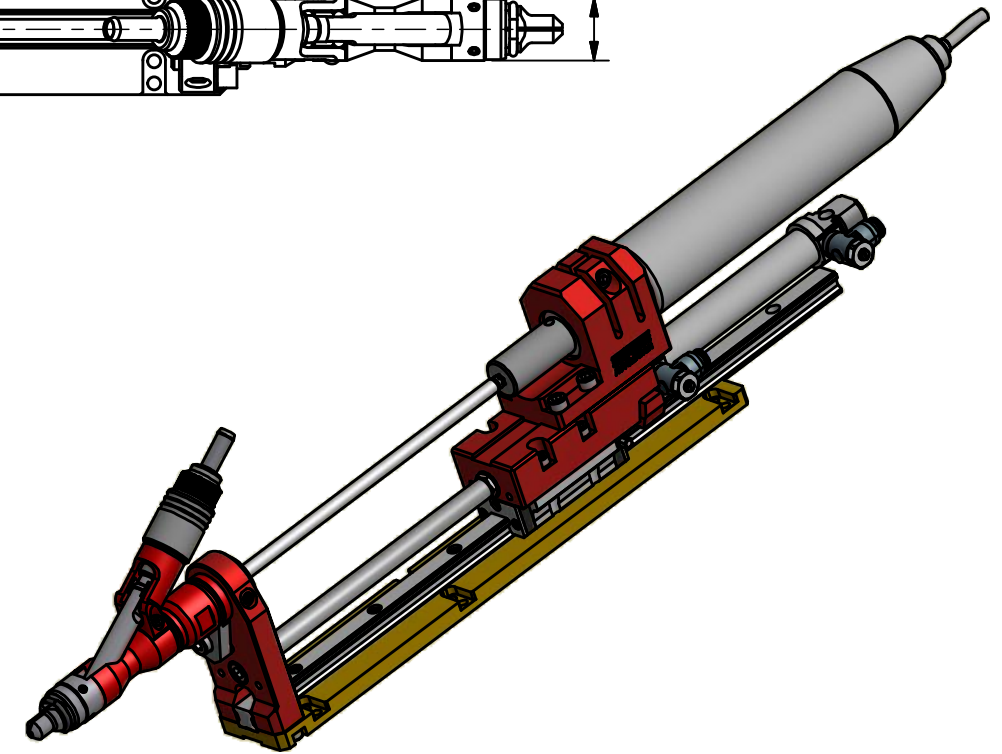
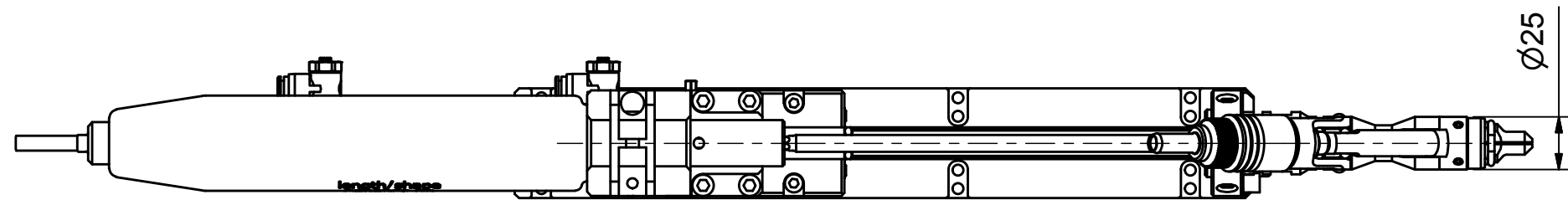
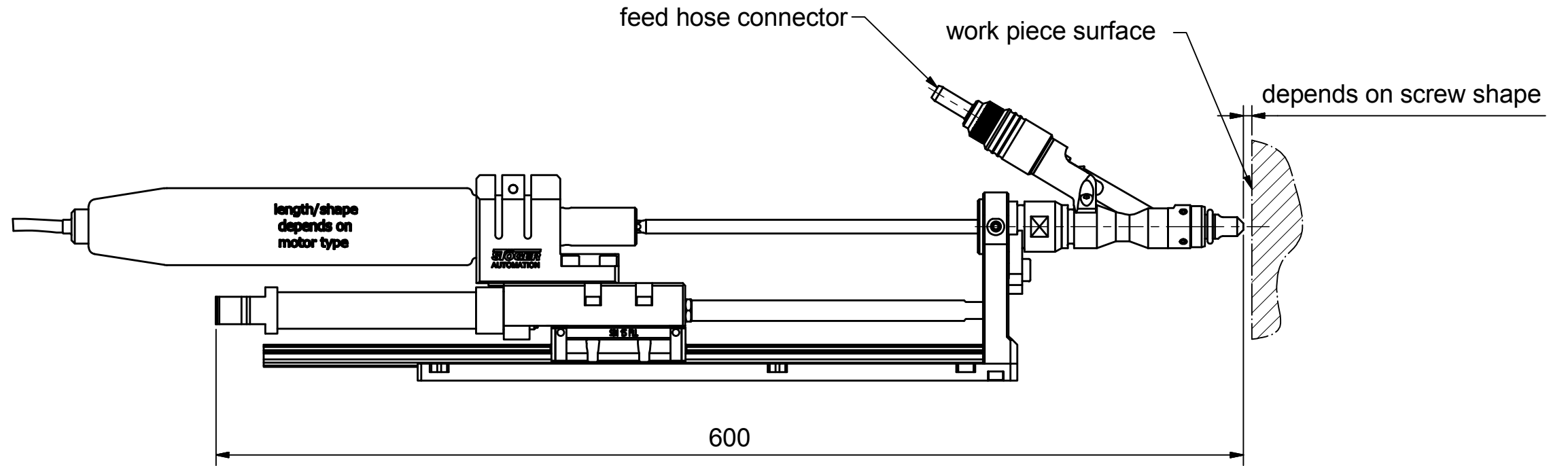
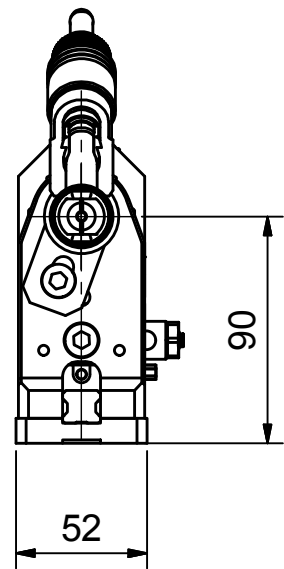


SRL21



The measurements are exemplary only and may vary from case to case.
Weight of the unit without motor: 2,9 kg

www.stoeger.com