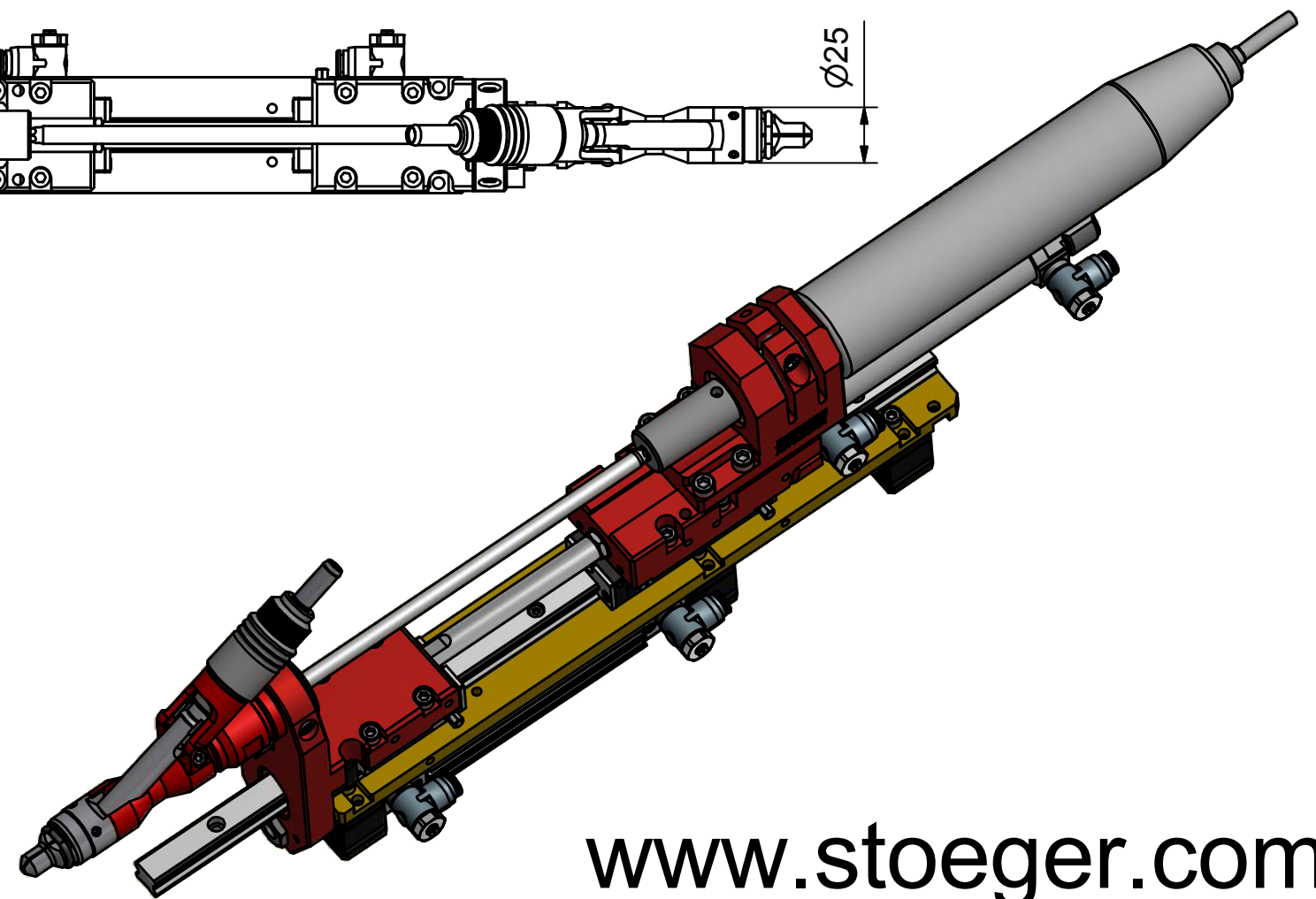
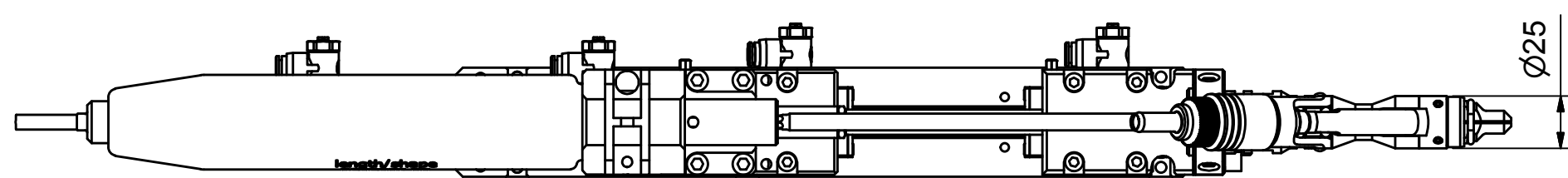
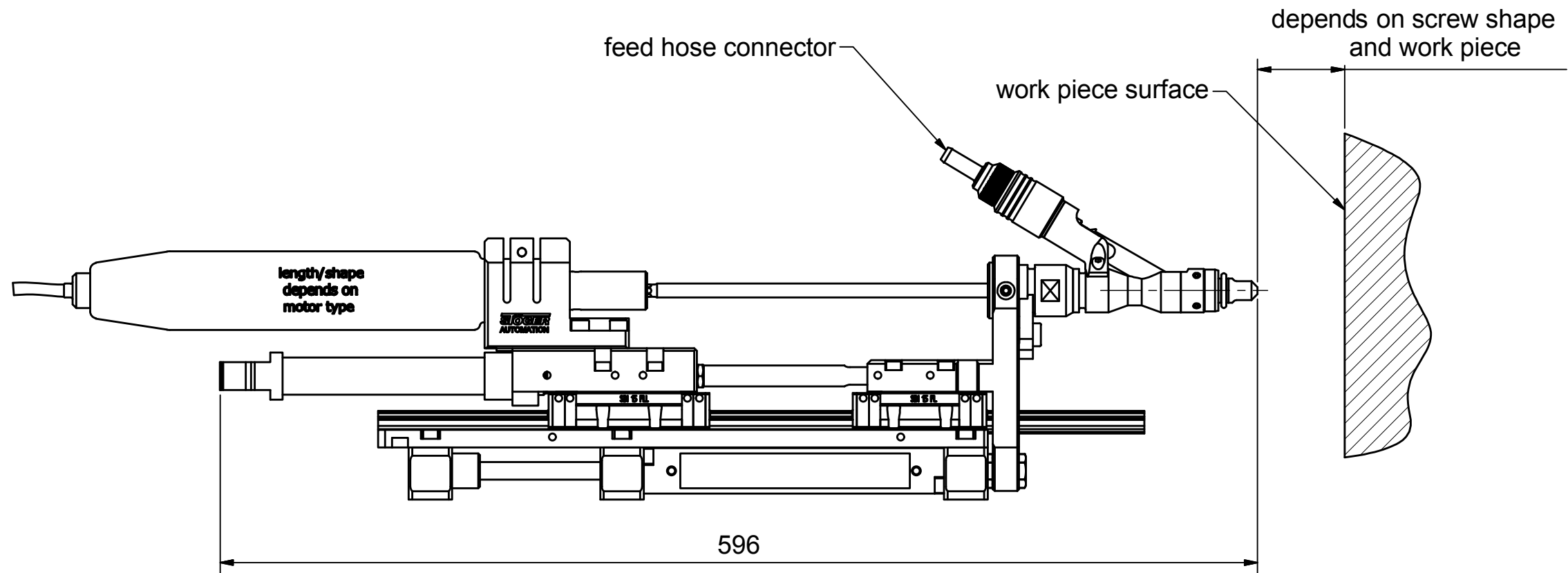
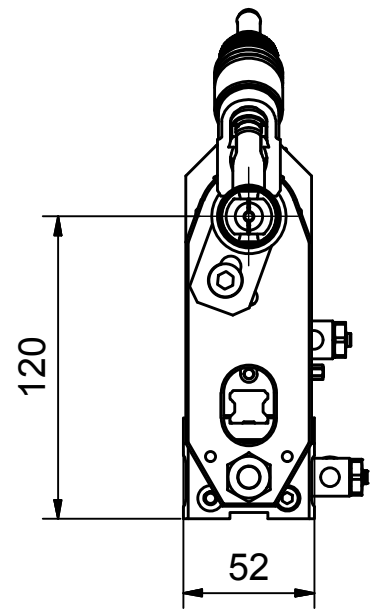


# SEL21



The measurements are exemplary only and may vary from case to case.  
Weight of the unit without motor: 4,1 kg

[www.stoeger.com](http://www.stoeger.com)